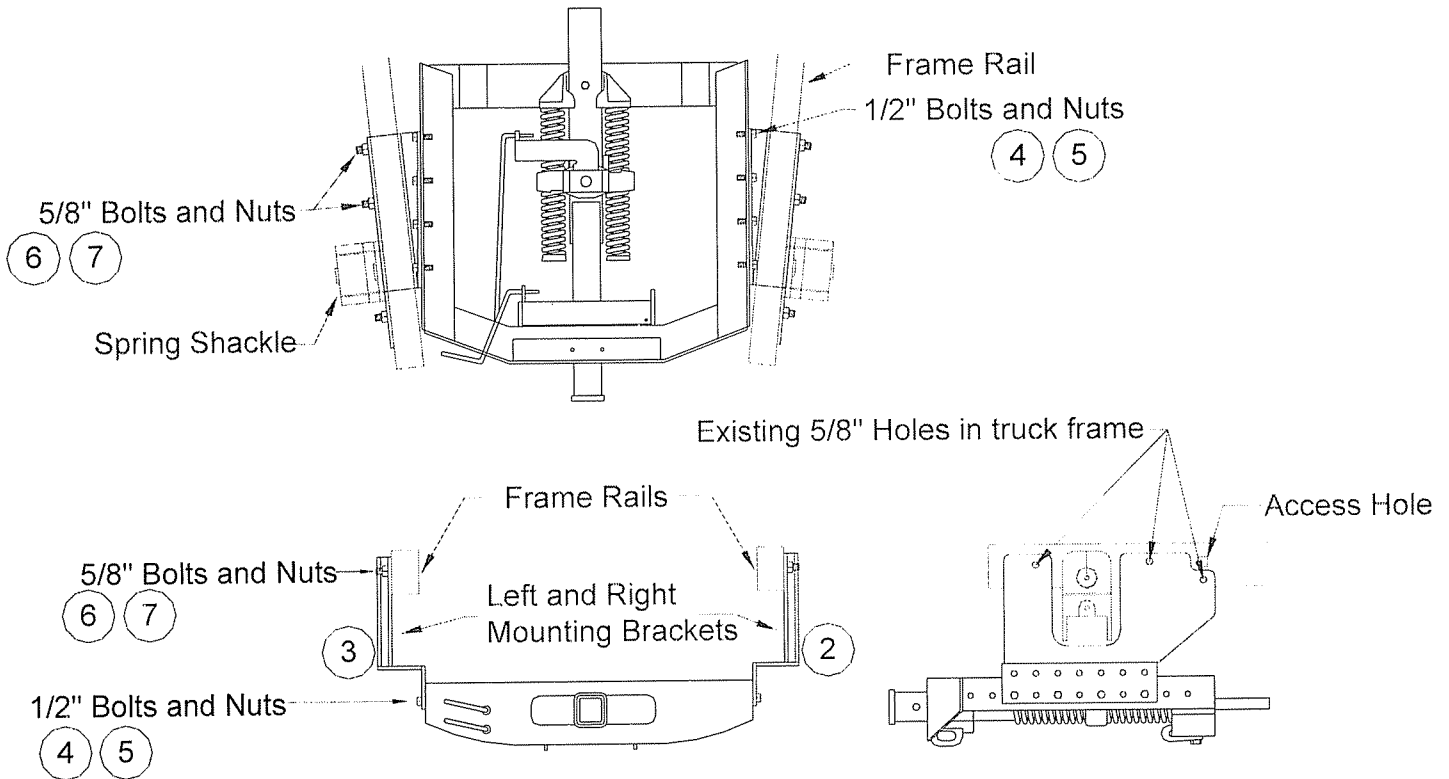


47082015

Quic 'n Easy MOUNTING INSTRUCTIONS

2004-2005 F-150



ITEM NO.	PART NO.	QTY	DESCRIPTION
1	47082015	1	Quic 'n Easy Mounting Kit
2	47082015R	1	Right Mounting Bracket
3	47082015L	1	Left Mounting Bracket
4	16008075	10	1/2"-13x1-3/4" HHCS Grd. 5 Bolt
5	14110801	10	1/2"-13 Nyloc Lock nut
6	16010085	6	5/8"-11x1-3/4" Flanged Serrated Bolt
7	14111011	6	5/8"-11 Flanged Serrated Nut

Quic 'n Easy MOUNTING INSTRUCTIONS

2004-2005 F-150

Follow assembly instructions below. Refer to assembly drawings and instructions on previous page.

1. Remove spare tire and either tighten spare tire carrier to prevent vibration noise, or remove spare tire carrier completely.

Note: Do NOT remove any welded or riveted-in cross members.
2. If truck has towing kit, the receiver tube will have to be removed. It is welded to the rear of the bumper assembly, and must be cut off in order to install the Quic 'n Easy hitch.
3. If equipped with vibration dampener, remove at the end of the left hand frame rail.
4. Align holes in mounting brackets (Items #2, #3) with holes on the outside of truck frame to mark which existing holes will be used. Remove brackets (Items #2, #3) and thread 5/8"-11x1-3/4" bolts (Item #6) through existing holes in truck frame so that the head is on the inside of the boxed frame. Mount brackets onto 5/8" bolts and secure with 5/8"-11 serrated nuts (Item #7). Snug bolts to mounting brackets in place, but **do not tighten** hardware at this time.
5. Install **Quic 'n Easy** frame to mounting brackets (Items #2, #3) using 1/2" x 1-3/4" bolts (Item #4) and 1/2" Nyloc lock nuts (Item #5). Select top or bottom row of holes on the mounting brackets according to desired hitch height. **Do not tighten** hardware at this time.
6. TORQUE ALL BOLTS TO THE SPECIFICATIONS SHOWN:
1/2" diameter grade 5 to 85 ft-lbs.
5/8" diameter grade 5 to 170 ft-lbs.
7. **IMPORTANT:** When complete, check for proper clearance between truck components and **Quic 'n Easy** receiver hitch assembly. There must be a minimum clearance of 2-1/4" fore and after, and 1-1/4" above the spring casting from any obstruction to allow proper and safe operation.