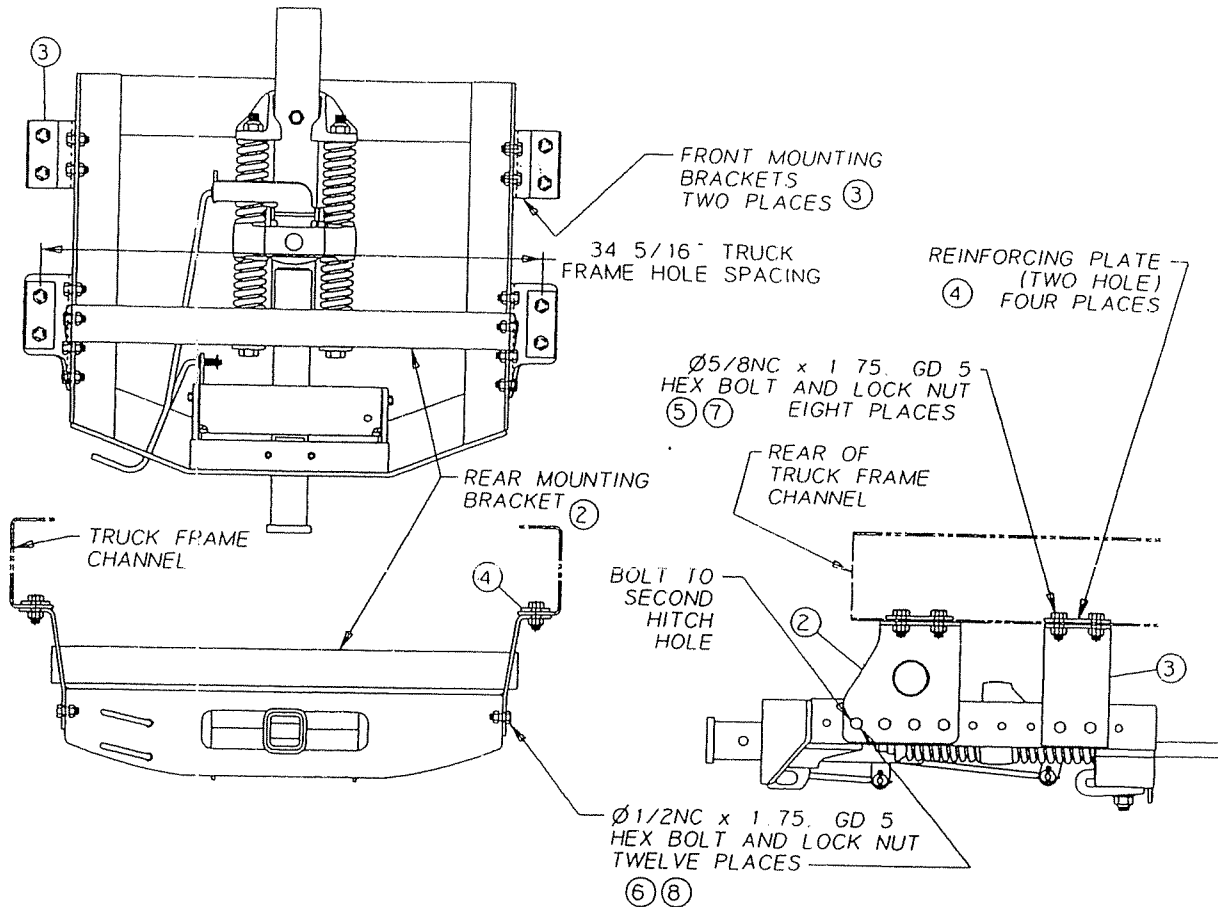


Quic 'n Easy MOUNTING INSTRUCTIONS

1999 - CURRENT

FORD F250 SUPER DUTY AND F350



ITEM NO.	PART NO.	QTY	DESCRIPTION
1	47082070	1	Quic 'n Easy Mounting Kit 1999 Ford F-250 Super Duty/F-350
2	47077590	1	Rear Mounting Bracket Weldment
3	47077594	2	Front Mounting Bracket Weldment
4	47077595	4	Reinforcing Plate
5	16010075	8	5/8" x 1-3/4" Hex Bolt, Gd. 5
6	16008075	12	1/2" x 1-3/4" Hex Bolt, Gd. 5
7	14111001	8	5/8" Stover Lock Nut
8	14110801	12	1/2" Stover Lock Nut

Quic 'n Easy Mounting Instructions 1999 – Current Ford F250 Super Duty and F350

Follow assembly instructions below. Refer to assembly drawings and instructions on previous page.

1. Remove spare tire, spare tire carrier, and bolted – in cross members.
2. Remove truck bumper and brackets from truck frame. Disassemble serrated M14 bolts from truck frame by tapping with a small hammer. Remove truck bumper from truck bumper brackets.
3. Align holes in mounting bracket (item #2) with holes in truck frame, bolts should go through reinforcement plates (item #4), frame and mounting bracket (see diagram) insert (2) ½" X 1 ¾" bolts (items #6) and ½" stover lock nuts (item #8) through top hole in mounting bracket (item #2). Snug bolts to hold rear mounting bracket in place, but **do not tighten** hardware at this time.
4. Install front mounting brackets (item #3) to truck frame, bolts should go through reinforcement plates (item #4), frame, and mounting brackets (see diagram) using 5/8" x 1 ¾" bolts (item #5), and 5/8" stover lock nuts (item #7). **Do not tighten** hardware at this time.
5. Install **Quic 'n Easy** frame to **bottom holes** of right hand front mounting bracket (item #3), and rear mounting brackets (item #2) using ½" x 1 ¾" bolts (item #6) and stover lock nuts (item #8). **Do not tighten** hardware at this time.
6. TORQUE ALL BOLTS TO THE SPECIFICATIONS SHOWN:
 - a. 7/16" diameter grade 5 to55 ft-lbs.
 - b. ½" diameter grade 5 to85 ft-lbs.
 - c. 9/16" diameter grade 5 to125 ft-lbs.
 - d. 5/8" diameter grade 5 to170 ft-lbs.
 - e. 12 mm diameter (from truck) to85 ft-lbs.
 - f. 14 mm diameter (from truck) to125 ft-lbs.
 - g. 16 mm diameter (from truck) to170 ft-lbs.
7. **IMPORTANT:** When complete, check for proper clearance between truck components and **Quic 'n Easy** receiver hitch assembly. There must be a minimum clearance of 2 ¼", fore and aft, and 1 ¼" above the spring casting from any obstruction to allow proper and safe operation.
8. Slide red plastic handle covers over slide lock handle and pin lever handle.