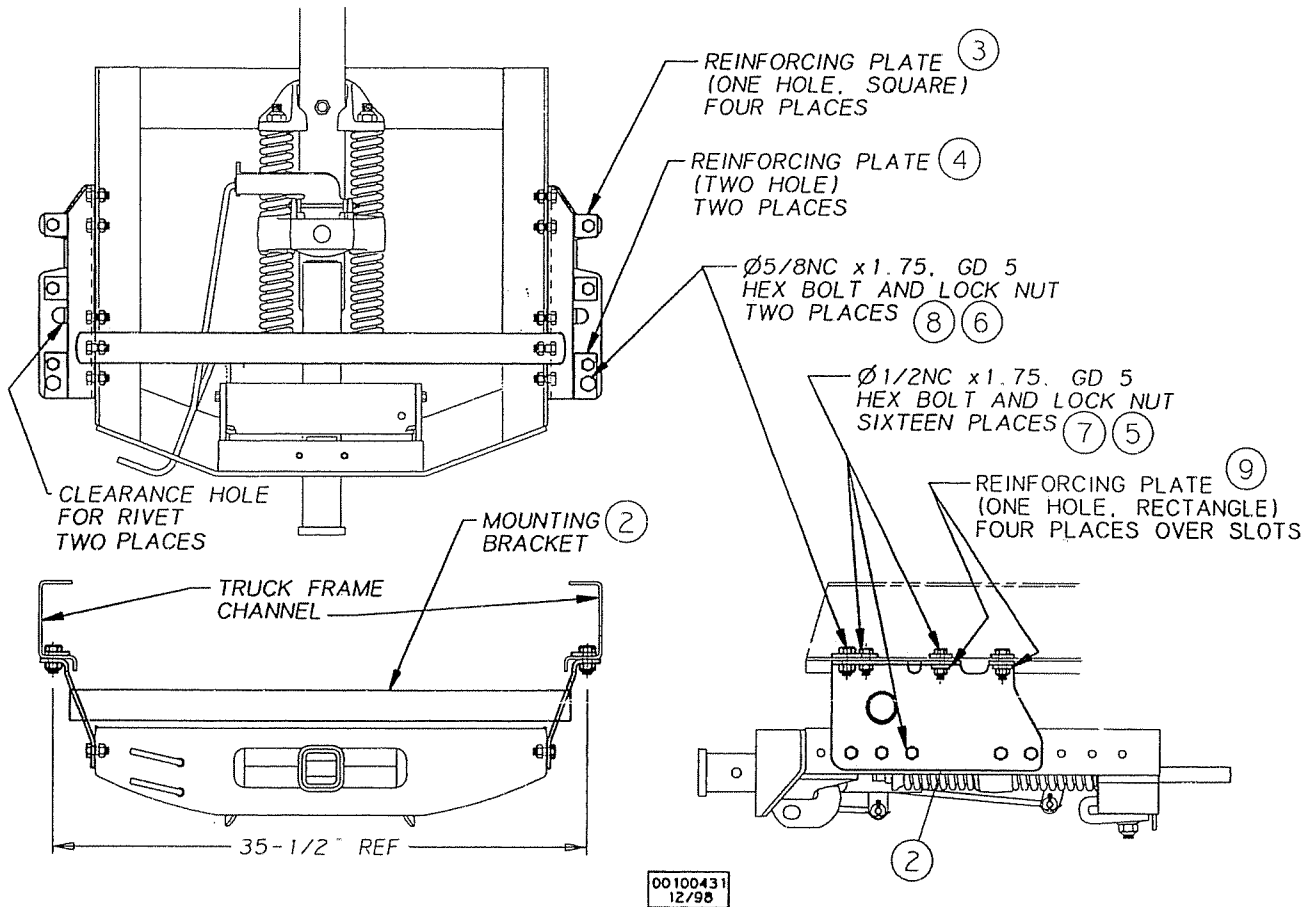


Quic 'n Easy MOUNTING INSTRUCTIONS

1994 - 2000 DODGE RAM



ITEM NO.	PART NO.	QTY	DESCRIPTION
1	47082090	1	Quic 'n Easy Mounting Kit 1994 - 2000 Dodge Ram
2	47077710	1	Mounting Bracket
3	47077507	4	Reinforcing Plate (for 1/2" bolt)
4	47077704	2	Reinforcing Plate (for 5/8" bolt)
5	14110801	16	1/2" Stover Lock Nut
6	14111001	2	5/8" Stover Lock Nut
7	16008075	16	1/2" x 1-3/4" NC Hex Bolt, Gd. 5
8	16010075	2	5/8" x 1-3/4" NC Hex Bolt, Gd. 5
9	47077714	4	Reinforcing Plate

ASSEMBLY INSTRUCTIONS

Follow assembly instructions below. Refer to assembly drawings and instructions on previous page.

1. Remove spare tire and tighten spare tire carrier to prevent noise vibration.

NOTE: Do not remove any welded or riveted-in cross members.

2. Place (2) reinforcing plates for 5/8" bolts (Item #4) over holes in truck frame that align with holes in rear of mounting bracket (Item #2), insert 5/8" x 1-3/4" bolts (Item #8) through reinforcement plates, truck frame, and rear of mounting bracket (Item #2). Install 5/8" stover lock nuts (Item #6) to 5/8" bolts. Snug bolts to hold rear mounting bracket in place, but **do not tighten** hardware at this time.
3. Place (4) square reinforcing plates for 1/2" bolts (Item #3) over holes in truck frame that align with holes in front of mounting bracket (Item #2), insert 1/2" x 1-3/4" bolts (Item #7) through reinforcement plates, truck frame, and front of mounting bracket (Item #2). Install (4) rectangular reinforcing plates (Item #9) and 1/2" stover lock nuts (Item #5) to 1/2" bolts. **Do not tighten** hardware at this time.
4. Install **Quic 'n Easy** frame to mounting bracket (Item #2) using 1/2" x 1-3/4" bolts (Item #7), 1/2" stover lock nuts (Item #5). **Do not tighten** hardware at this time.
5. TORQUE ALL BOLTS TO THE SPECIFICATIONS SHOWN:
7/16" diameter grade 5 to.....55 ft-lbs
1/2" diameter grade 5 to.....85 ft-lbs
9/16" diameter grade 5 to125 ft-lbs
5/8" diameter grade 5 to170 ft-lbs
12 mm diameter (from truck) to85 ft-lbs
16 mm diameter (from truck) to170 ft-lbs
6. **IMPORTANT:** When complete, check for proper clearances between truck components and **Quic 'n Easy** receiver hitch assembly. There must be a minimum clearance of 2-1/4", fore and aft, and 1-1/4" above the spring casting from any obstruction to allow proper and safe operation.
7. Slide red plastic handle covers over slide lock handle and pin lever handle.